

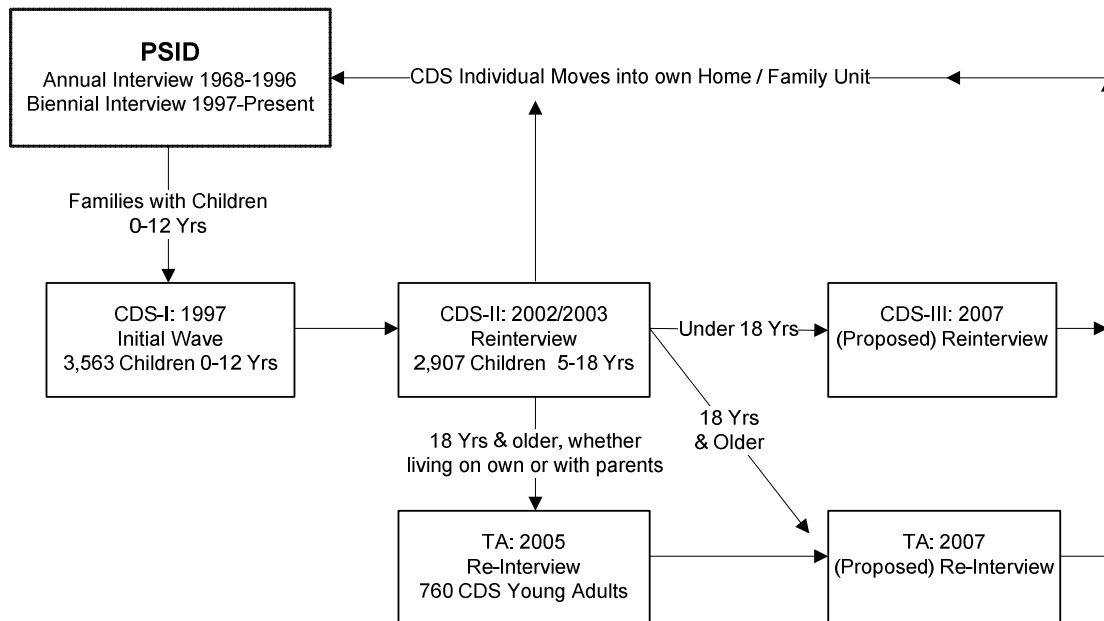
The PSID-CDS Design At-A-Glance

General Purpose

To provide researchers with a comprehensive, nationally representative, and longitudinal database of children and their families with which to study the dynamic process of early human capital formation.

Sample Design

- Sampled all PSID families with children aged 0-12 years during the calendar year of 1997. PSID is a nationally representative sample of families in the U.S. with an oversample of low-income families. Interviews have been collected with PSID families since 1968. Sample members are followed as they split off into new households. Up to three generations of data are currently available.
- Selected up to 2 children per PSID family. CDS Families typically included biological mother (94% of CDS-I and 89% of CDS-II) but also include other “non-traditional” family configurations.
- Large and representative sample of siblings and cousins
- Interviewed CDS children in 1997, 2002-2003, 2005 Transition into Adulthood (TA), and planned (per funding decision) 2007 CDS and TA. Note CDS follows individuals only to the extent that the families are followable. CDS retention after five yrs is 84%.



- Respondents in CDS include:
 - Children (computer-assisted IW and self-IW)
 - Both parents/caregivers in the home at all waves
 - Absent father at Wave 1
 - Teachers (elementary, pre-school, home-school)
 - School administrators, Wave 1
- Respondents in PSID biennial interview:
 - Parents, grandparents, and other extended family members, providing information on family context

Information Collected on the Child / Youth:

- In the CDS data collection at ages 0-12 yrs in 1997
- In the CDS data collection at ages 5-18 yrs in 2002/03
- In the Transition into Adulthood data collection at ages 18-21 yrs in 2005 (Transition into Adulthood Interview—content not specified in this table)
- Information collected biennially since birth in the main PSID about child's / youth's residence, geographic mobility, schooling, employment, whether incarcerated or institutionalized for other reason, family environment
- Information collected every other year in the main PSID about the sample member in adulthood once he/she moves out of parent's home

Content Areas

Time Use - Diary

- 24-hour detailed accounting of time use for one randomly selected weekday and one randomly selected weekend
- Type, number, duration, and location of activities
- Social context of daily activities – detailed information about with whom participated in the activity and who else was there, but not directly engaged

Time Use – Stylized Measures

- Frequency participate in following activities, costs associated with the activity, proportion of good friends who also participate.
- Activities include:
 - Team sports/ athletics (parent and youth report)
 - Student government, clubs (parent and youth report)
 - Community clubs (parent and youth report)
 - Volunteer work (parent and youth report)
 - Summer sports or recreation programs (parent and youth report)
 - Religious service attendance (parent and youth report)
 - Religion-based clubs (parent and youth report)
 - Lessons in music, dance, or drama (parent report)
- Frequency participate in:
 - Hobbies (parent report)
 - Play musical instruments (parent report)
 - Reading (parent report)
 - Computer use (parent and youth report)
 - Video games (youth report)
 - Internet use (youth report)
- Number of hours watch TV; number of hours TV is on in the home (parent report)

Aptitude and Achievement Test Scores

- Reading and Math (Ages 5+ Yrs)
 - Woodcock-Johnson Revised Tests of Achievement (WJ-R) for Letter-Word Identification, Passage Comprehension, Applied Problems, and Calculation Skill Test (in CDS-I)
- Short Term Memory (Ages 3-18)
 - The Digit Span Test from WISC-III

Education and Schooling Experiences

- Ever enrolled in preschool or Head Start program; age first enrolled, length of enrollment
- Current enrollment and grade, type of school, attendance, highest grade attended; additionally, in PSID biennial survey, current enrollment and grade of school
- Attended special class/school for gifted students; classified as needing special education
- Ever repeated grade; dropped out; which grades
- Homework and parent involvement in homework and the school
- Eligible for and participate in federal lunch and breakfast programs
- Youth detailed report of courses taken and grades in current and prior term
- Youth reported connectedness to school
- Youth reported time spent in homework, tutoring, school clubs and school sports

Youth Work Experiences

Current/summer employment:

- Employment characteristics, job title, hours, wages
- Satisfaction, ability to learn new things on the job, if current work fits in with future aspirations

Children's own Savings and Expenditures

- Have a savings or bank account in own name; amount of money in the account
- Donate money to a charity
- Saving for future schooling? Saving for something else?
- Use any of own money (and amount) for people in family for such expenses as: bills, food, rent or home payments, gifts, clothes, child care, car expenses
- Amount of money spent in the last 12 months on: car payments, insurance, and other expenses; after school activities, school supplies, gifts for non-relatives
- Amount of money spent in the last 3 months on: music, video games, clothes, books / magazines, going out with friends or dates, public transportation

Expectations for Work, School, Family

- Expectations for getting married, getting divorced, having children, age want to have children, living past age 21, having a middle-class income by age 30
- Negative economic expectations (e.g., worries about having enough money or ability to support ones self when older)
- Career orientation: desirable jobs when complete schooling, how much have thought about kind of job will have; how certain will get the job want
- Desired and expected future schooling – youth reported
- PCG and OCG reported expectations for child's education

Child Care

- Retrospective detail on type, costs, and frequency of use of formal and informal arrangements for children up through kindergarten
- Type, frequency of use, and costs of current formal and informal weekday and weekend arrangements for children up through teens
- Summer arrangements for children up through teens

Relationships

- Closeness to parents
- Closeness to other adults – relatives and adults at school, in the community
- Experiences with peer bullying
- Peer characteristics - % of friends who encourage positive behaviors, deviant or disobedient behaviors, illegal activity, engage in school and community activities
- Dating – whether parents allow youth to date, ever dated, characteristics of girl/boy friend
- Number of friends who use drugs, alcohol, tobacco
- Number of friends who are involved in the same extra-curricular activities as respondent
- Youth reported disclosure of activities / whereabouts to parents
- Psychological control by mother; by father; by boy/girl friend

Religiosity & Spirituality

- Religious identification and attendance; importance of religion to the youth
- Spirituality and importance of spirituality to the youth

Mental Health

- Diagnosis for mental health problem, PCG reported
- Whether child/youth has seen a psychiatrist in past 12 months, PCG reported
- Depression, Kovacs Child Depression Inventory (Youth 12+ yrs self-reported)

Psychological, Emotional, Social Well Being

- General self worth: global self concept scale (Youth 8+ Yrs self-reported)
- Perceived self-confidence in academics – Eccles Self Concept for Reading, Math (Youth 8+ Yrs self-reported)
- Pro-social behaviors (Youth 10+ yrs self-reported)
- Positive Behaviors (Ages 3+ Yrs; PCG reported)
- Emotional well being, social well being, and psychological well being scales from the MIDUS (Youth 12+ yrs self-reported)
- Worries (Youth 8+ Yrs self-reported)
- Behavior Problems Index, Zill & Peterson (Ages 3+ Yrs, PCG reported)
- Anti-Social Behavior (Ages: 12+ Yrs self reported)
 - Illegal activities
 - Deviant /delinquent behaviors: damaged property less than \$50/more than \$50, stole, attacked someone, sold drugs

Alcohol, Tobacco, and Drug Use

- Alcohol Use (Ages: 12+ Yrs)
 - Ever had a drink
 - Ever drink when not around parents or other adults
 - Age first had a drink when not around adults
 - Past 12 months: frequency of use; number of drinks each time, number of days binge-drunk (5+ in a row), number of days gotten drunk
 - Preferred drink (beer, etc.)
 - Availability of alcohol in the home
- Tobacco Use (Ages: 12+ Yrs)
 - Ever tried smoking; ever tried chewing tobacco
 - Age first used cigarettes, chewing tobacco regularly; extent of use
 - Ever tried to quit smoking
- Drug Use (Ages: 12+ Yrs)
 - Ever used: marijuana, inhalants
 - Age first used; use in past 30 days, in lifetime

Prenatal Care / Birth Circumstances

- Prenatal care: from PSID main interview: maternal alcohol, cigarette, drug use during pregnancy; from CDS: whether child born early or late, whether placed in neonatal intensive care unit, reason for and length of stay in neonatal ICU, length of hospital stay
- Birth place, birth order, birth weight
- Whether breastfed; age stopped, reason why stopped

Health

- General health status- reported by PCG and by child
- Height and weight reported measured; reported by youth when measurement could not be taken
- Chronic conditions-whether have any one of series of conditions, age of onset
- Asthma symptoms, hospitalization, treatment
- Frequency of physical symptoms/conditions in past 12 months (youth reported)
- Pregnancy history reported by youth in ACASI
- Whether have activity limitations due to health or mental health
- Accidents and injuries needing medical attention in the prior 12 months; specific details on injury
- Illness needing medical attention in the prior 12 months

Health Behaviors

- Nutrition: typical breakfast foods
- Nutrition: frequency eat main food groups and junk food in past seven days
- Currently trying to loose or gain weight; strategies
- Minutes spent in exercise both in and out of school
- Hours of sleep per night, evaluation of sufficiency of sleep
- Sexual intercourse: ever had, age first had sex, use of birth control

Health Care and Coverage

- Hospitalization history since birth
- Date of last routine health and dental check ups; immunization status
- Health care coverage
 - Whether child is covered
 - Provider (employer-provided, individual plan, public program)
 - Amount of money paid, who pays for health care plan
 - Biennially in PSID- whether covered by health insurance

Family Context

Rich longitudinal data collected about and from multiple family members, including extended family members, within and across generations in the PSID main interview. Data were collected annually from 1968 through 1996 and biennially from 1997 to the present. Highlights of the PSID interview include:

- Family composition – collected annually in 1968 through 1996; biennially 1997-2005, extended family identifiers, marital and fertility histories
- Detailed employment histories for family heads and wives, including detailed information about unemployment spells, job searches collected annually in 1968 through 1996; biennially 1997-2005
- Income detail for heads and wives from employment, assets, program participation, and assistance family members collected annually in 1968 through 1996; biennially 1997-2005
- Comprehensive data on wealth and active savings for family heads and wives (collected in years 1984, 1989, 1994, 1999, 2000 to 2005)
- In-depth information on household expenditures for food, health care, housing, transportation, education, home repairs, maintenance, and furnishings, clothing, travel, recreation collected annually in 1968 through 1996; biennially 1997-2005
- Details on child care costs and experiences collected annually in 1968 through 1996; biennially 1997-2005
- Educational histories, vocational schooling, and highest educational attainment for heads and wives, as well as for other family unit members (1985-2005; detailed supplement in 1995)
- Philanthropic giving and volunteering for family heads and wives (collected in 2001-2005)
- Detailed health information for family heads and wives, height, weight, birth weight, chronic conditions, activity limitations, ADL, IADL since 1986/1992; health behaviors – smoking, alcohol consumption, physical activity in 1986 and since 1999, cause of death
- Range of housing characteristics, home ownership status, details on mortgages and home value, neighborhood characteristics on property taxes and insurance premiums collected annually in 1968 through 1996; biennially 1997-2005
- Military status
- Whether incarceration, collected annually in 1968 through 1996; biennially 1997-2005

Information about the parents/ caregivers from the 1997 and 2002/2003 CDS Interviews include:

- Family and household activities: frequency of parents engaging in indoor/ outdoor activities with child, family gatherings, and eating meals together
- Parental involvement in schools
- Parental monitoring; family rules (whether have a series of rules, how often discuss each one, how often enforce rules)

- Variety of child-specific expenses for household members, non-household members, and absent parents; savings mechanisms for child
- USDA Food security (CDS 1997)
- Distribution of household responsibilities among household members
- Cognitive stimulation and emotional support measures from the HOME SF Scale
- Self esteem (Rosenberg scale), self-efficacy (Pearlin scale), non-specific psychological distress (K-6, K-10), social support, religiosity, gender role beliefs, parenting attitudes, parenting strain for primary and secondary caregivers
- Economic strain, work schedules, community involvement, family conflict for primary and secondary caregivers
- Frequency and pattern of contact with child; conflict between resident and absent parent

Information on the Neighborhood Context

- Geo-coded sensitive data contract files
- PCG reported information about neighborhood quality, cohesion, safety, preference
- Interviewer observations of neighborhood

Information on Schools

- Caregiver report on school enrollment, costs, special programs, private / public / other at all waves
- Youth report of specific courses and grades received in those courses for current and prior terms at Wave 2 (when the sample had moved into middle/high school age range)
- NCES Common Core of Data linkages for public schools; NCES Private School Survey linkages for private schools
- Curriculum catalogs
- Teacher reports of:
 - Perception of student competence, grade progression, absences
 - Parental contacts and involvement in school
 - Language arts and math grouping, classroom organization, adequacy of classroom supplies and equipment
 - Background and experience of the teachers, Time use diary (CDS-I only)
 - Characteristics of the school

Data Access

- Internet-based Data Center that allows:
 - Search and browse
 - Customized codebooks
 - Auto merge PSID/CDS data; select output type
 - Data cart management
 - No user fee or contract for public use data
- Internet-based zip-files for core, supplemental data
- Sensitive data contracts for geocode data and school identifiers to link to NCES CCD and PSS. Nonrefundable fee is \$750.
- Tutorials that illustrate data structure and applications of the PSID-CDS data
- CDS Caregiver Mapfile that assists with linking PSID panel data on caregivers with data on children in CDS

Contact Us!
The Child Development
Supplement to the PSID

Institute for Social Research
University of Michigan
426 Thompson Street
Ann Arbor MI 48106

Email: PSIDHelp@umich.edu
Tele: 734-763-5166
<http://psidonline.isr.umich.edu/CDS>

*Primary supported provided by the National Institute of Child Health
and Human Development and the National Science Foundation*